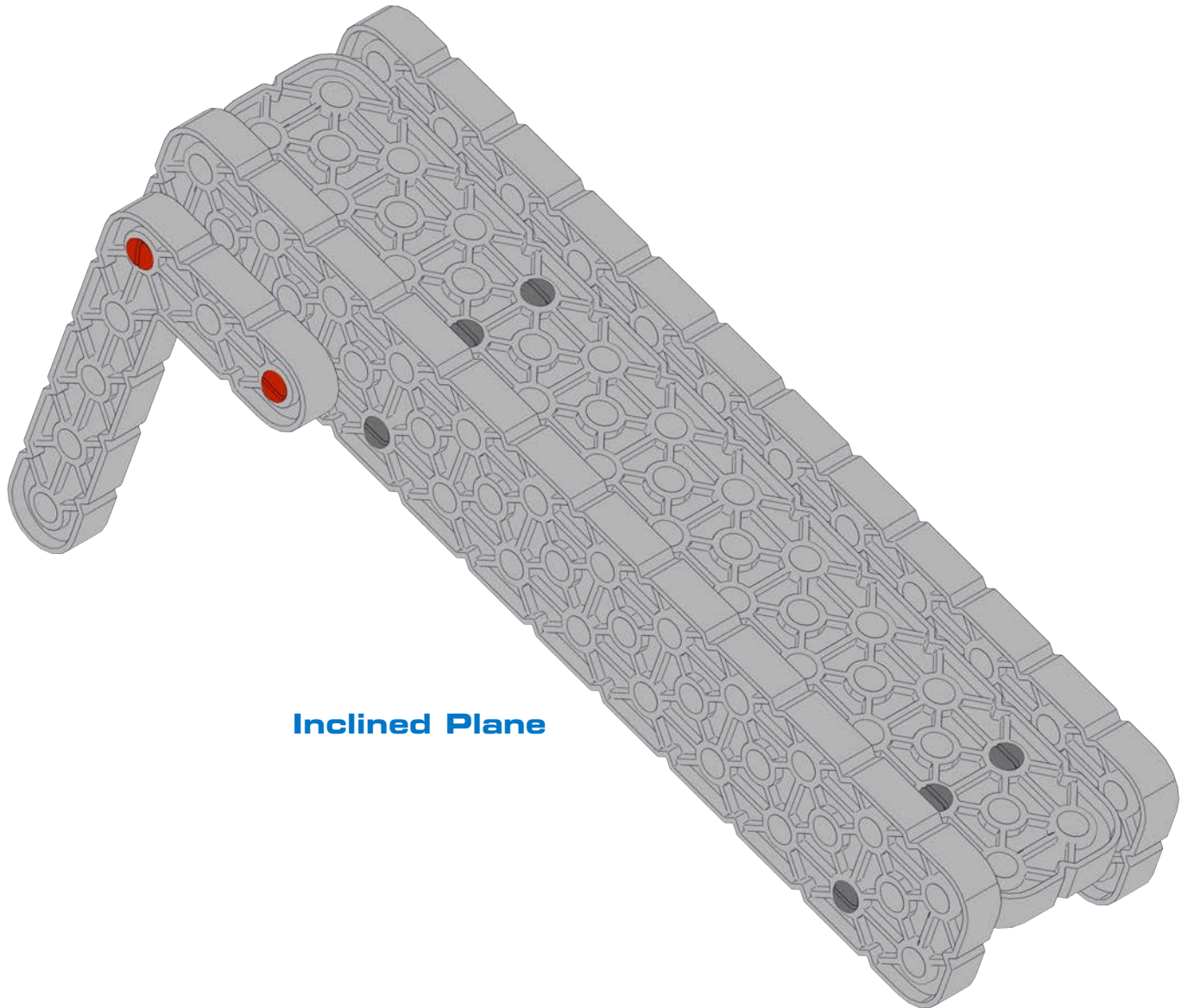


**Simple Machines & Motion Sample Assemblies**

**Inclined Plane Assembly**

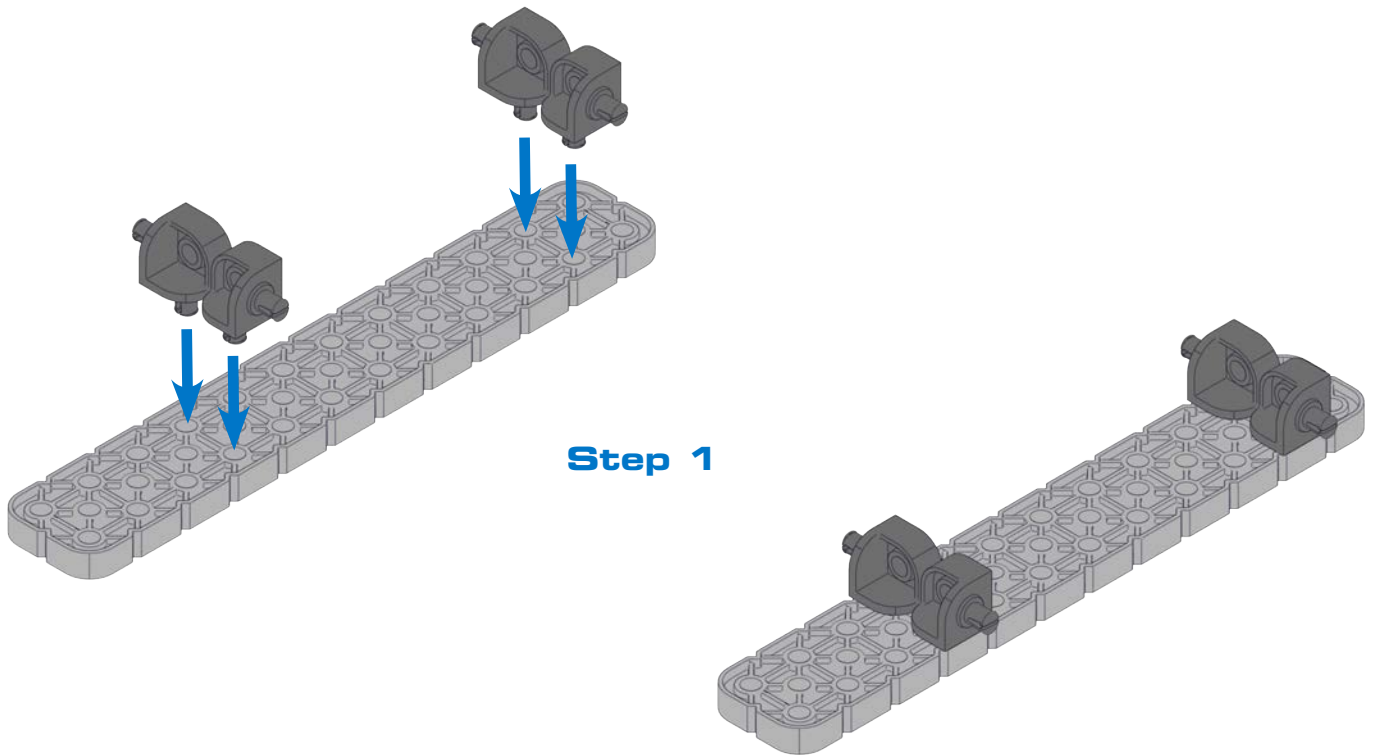
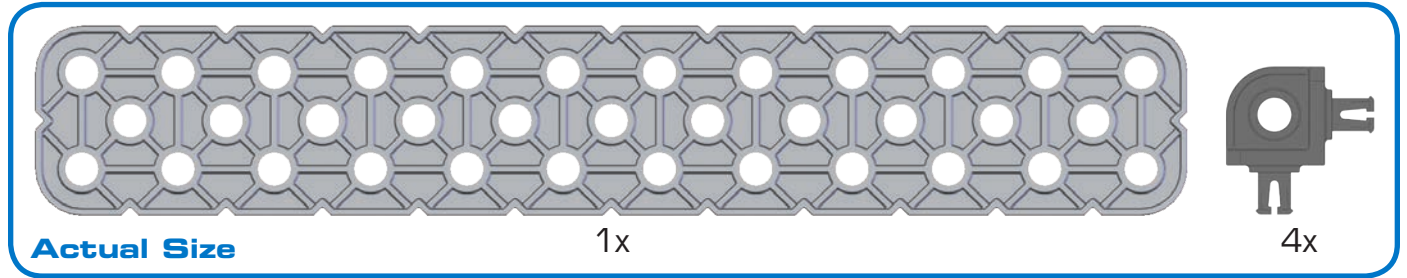


**Inclined Plane**

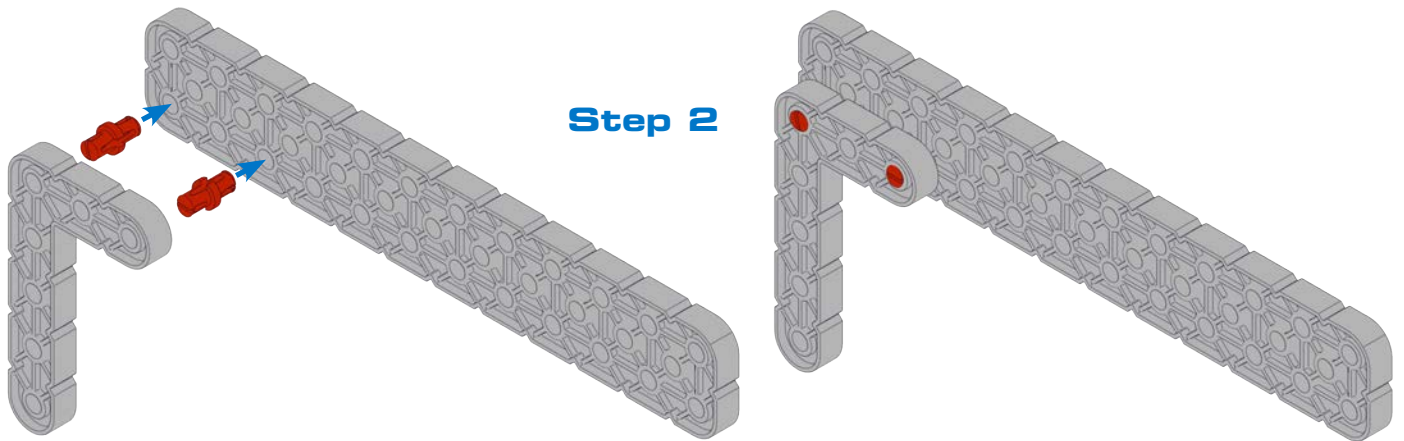
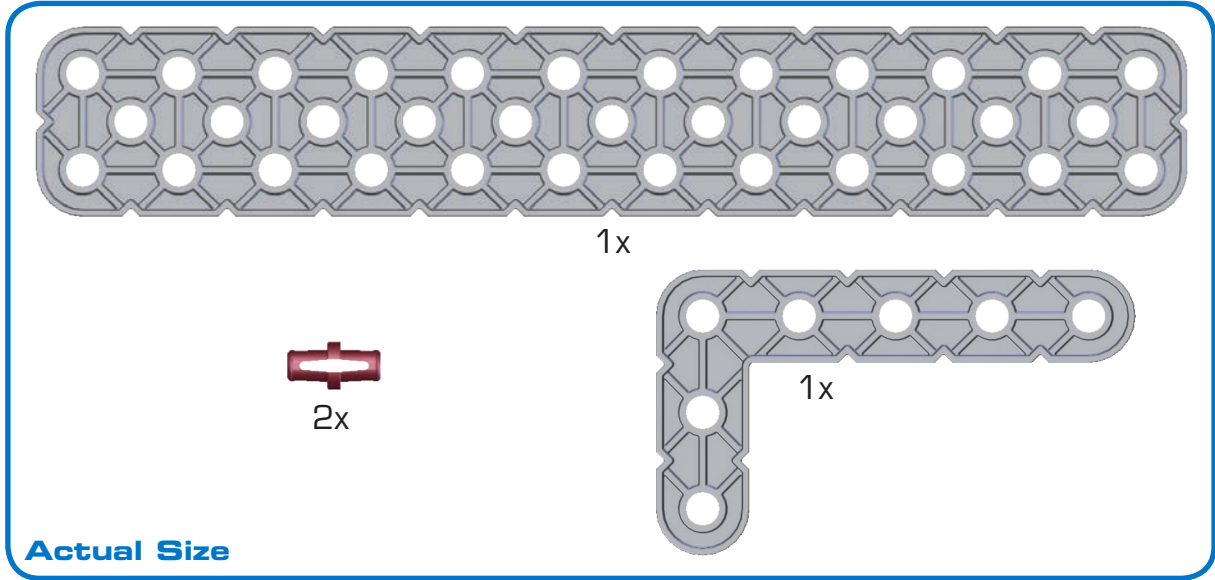


### Inclined Plane Assembly

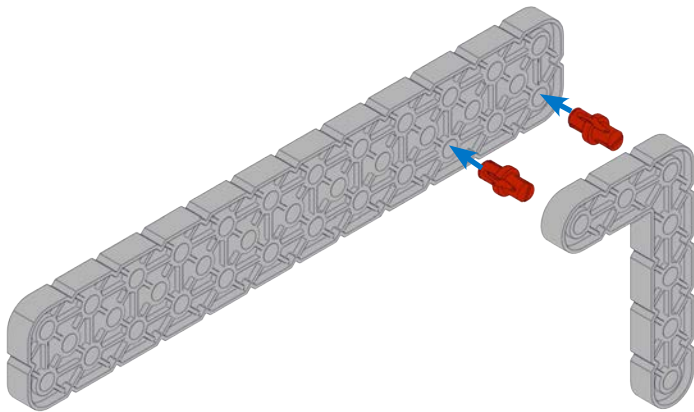
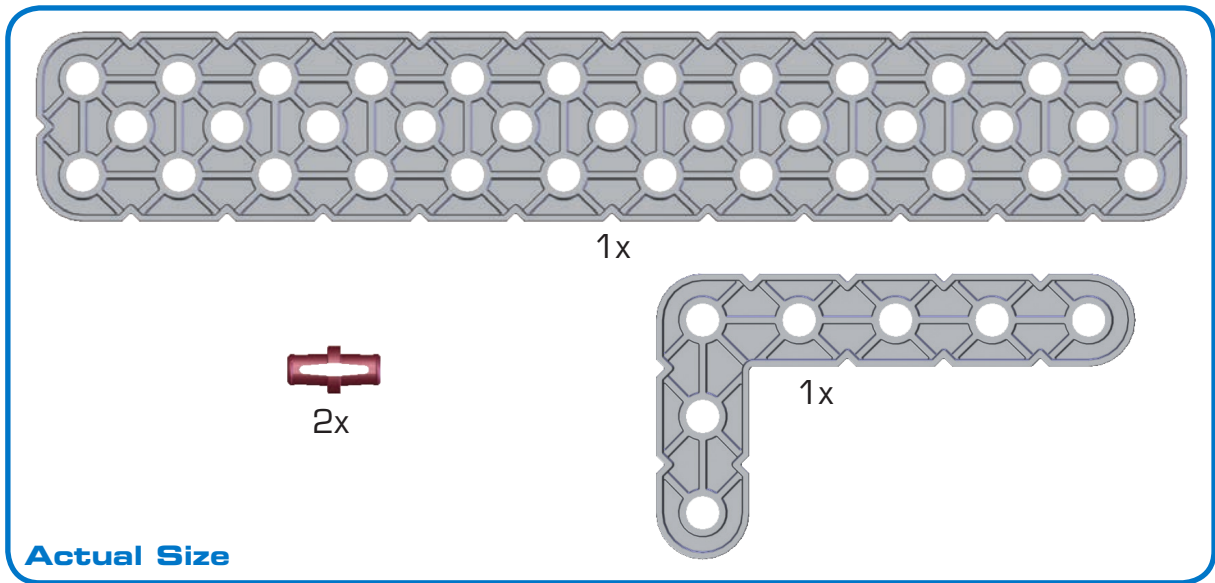
#### 1. Inclined Plane



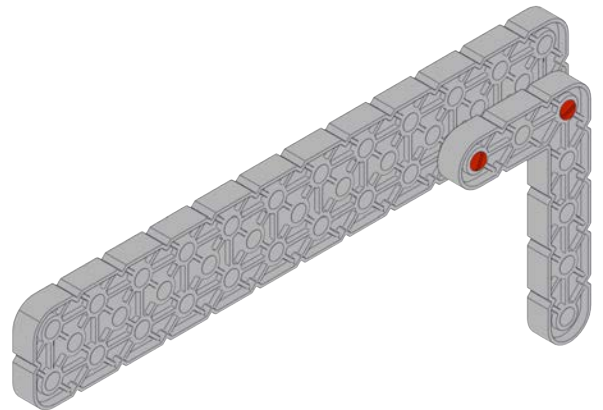
### Inclined Plane Assembly



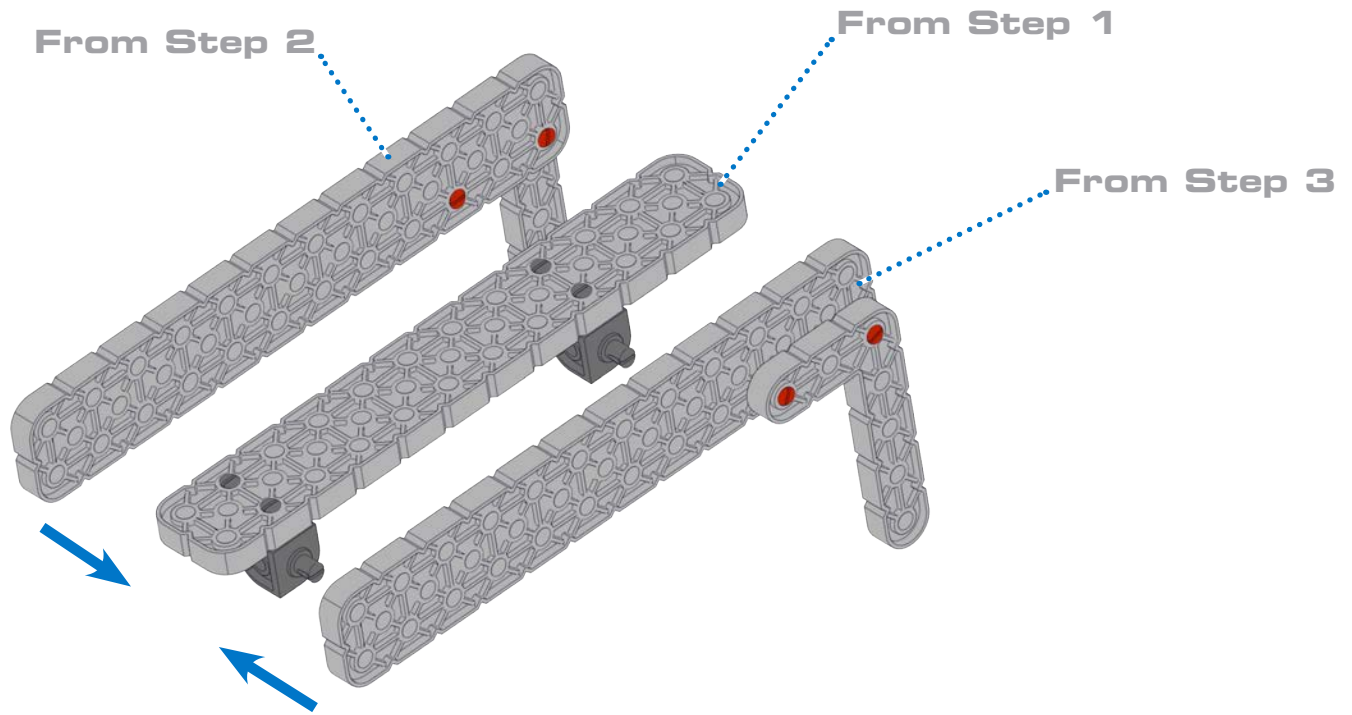
### Inclined Plane Assembly



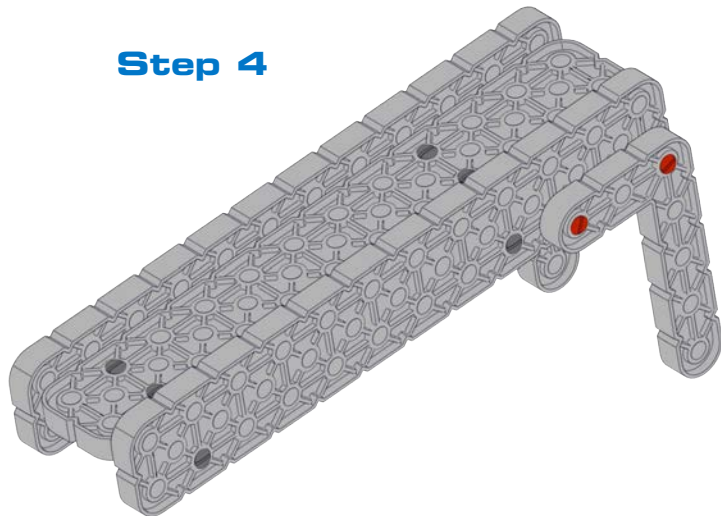
### Step 3



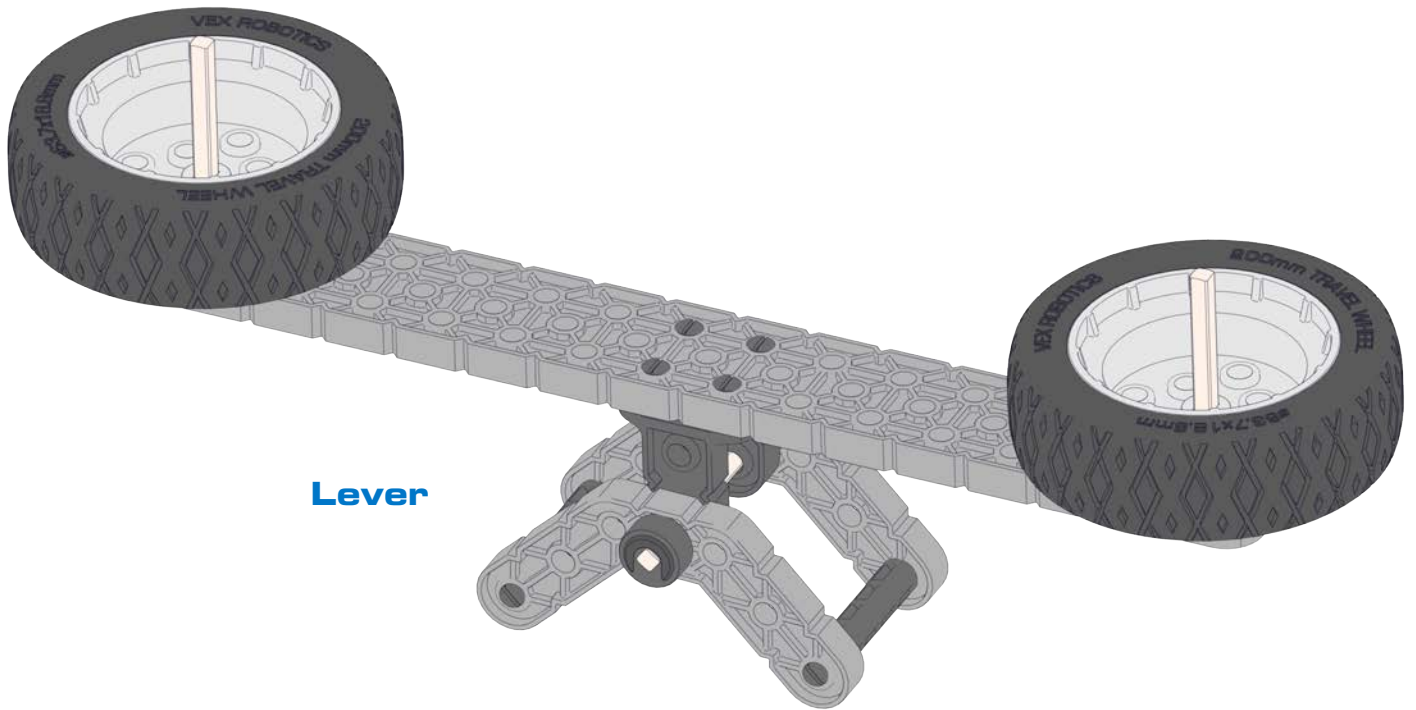
### Inclined Plane Assembly



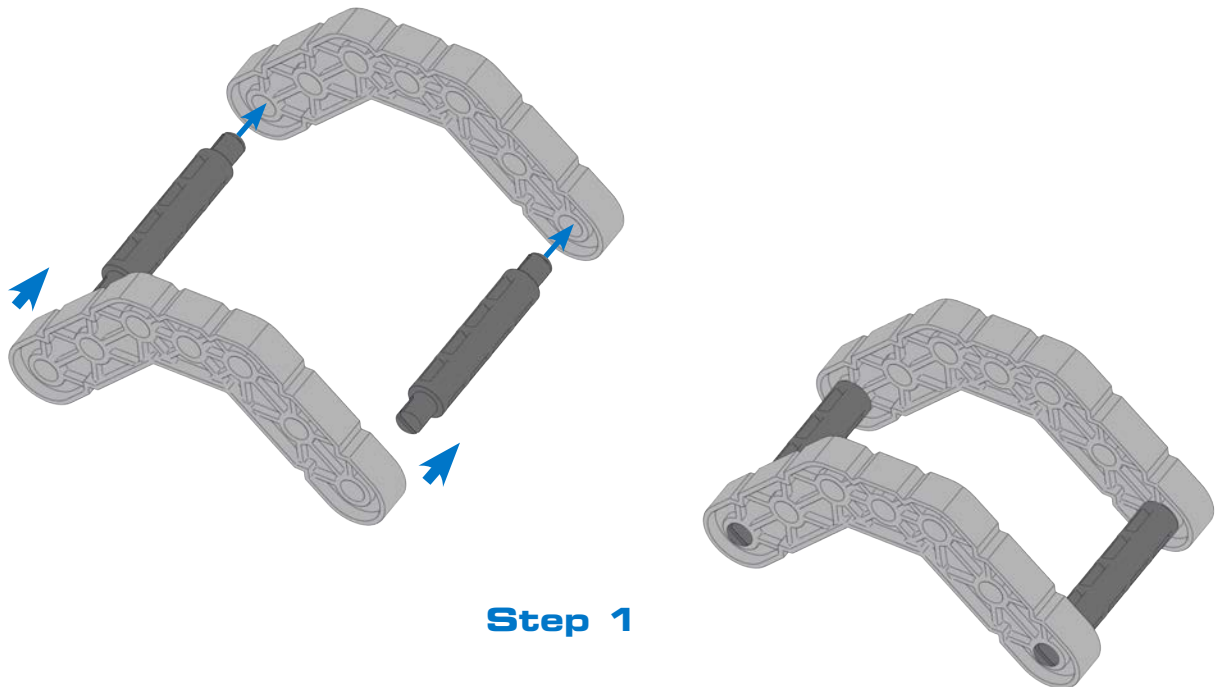
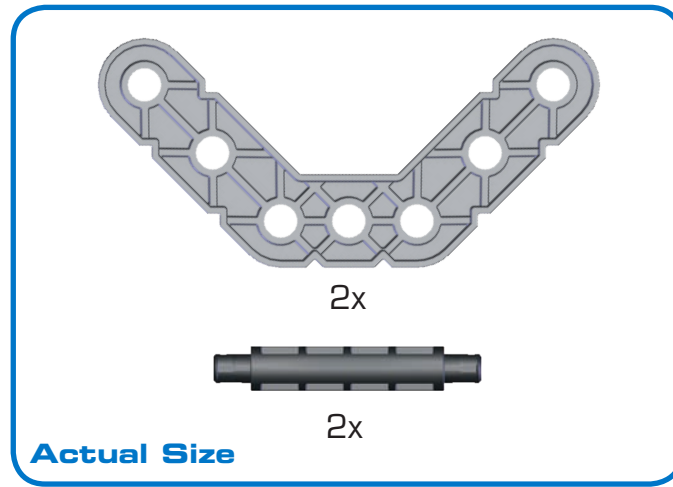
### Step 4



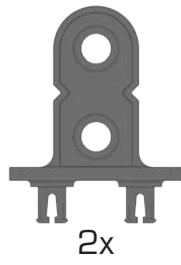
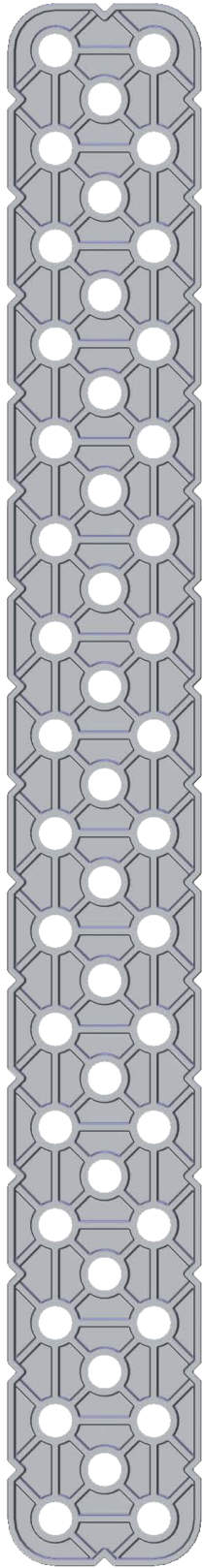
### Lever Assembly



### Lever Assembly



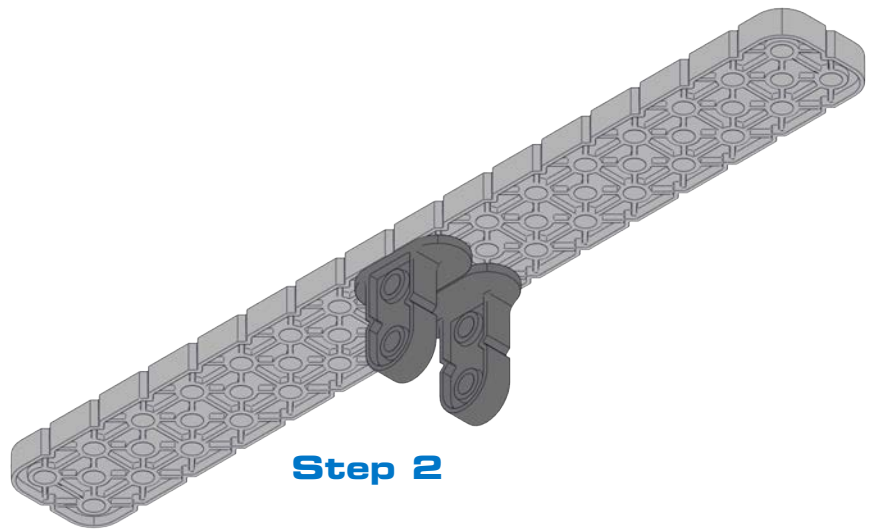
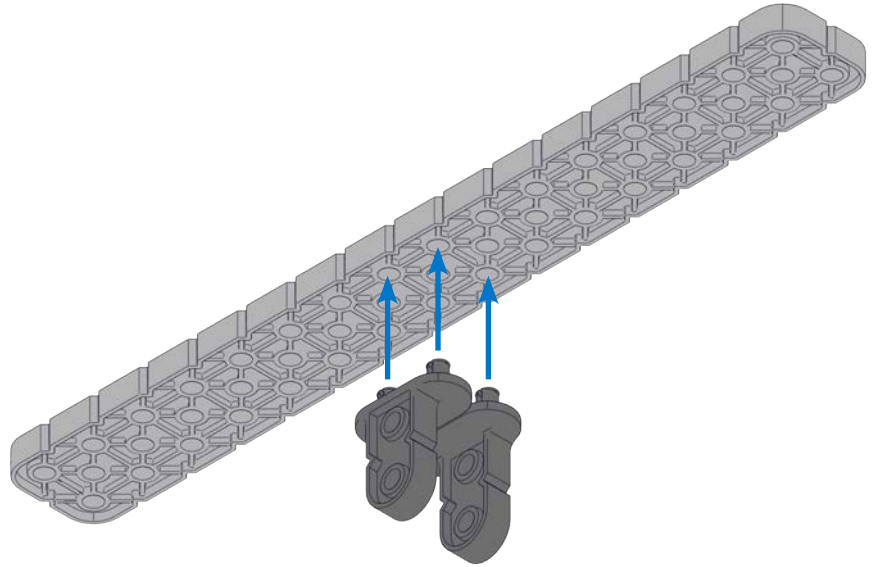
**Lever Assembly**



2x

1x

**Actual Size**



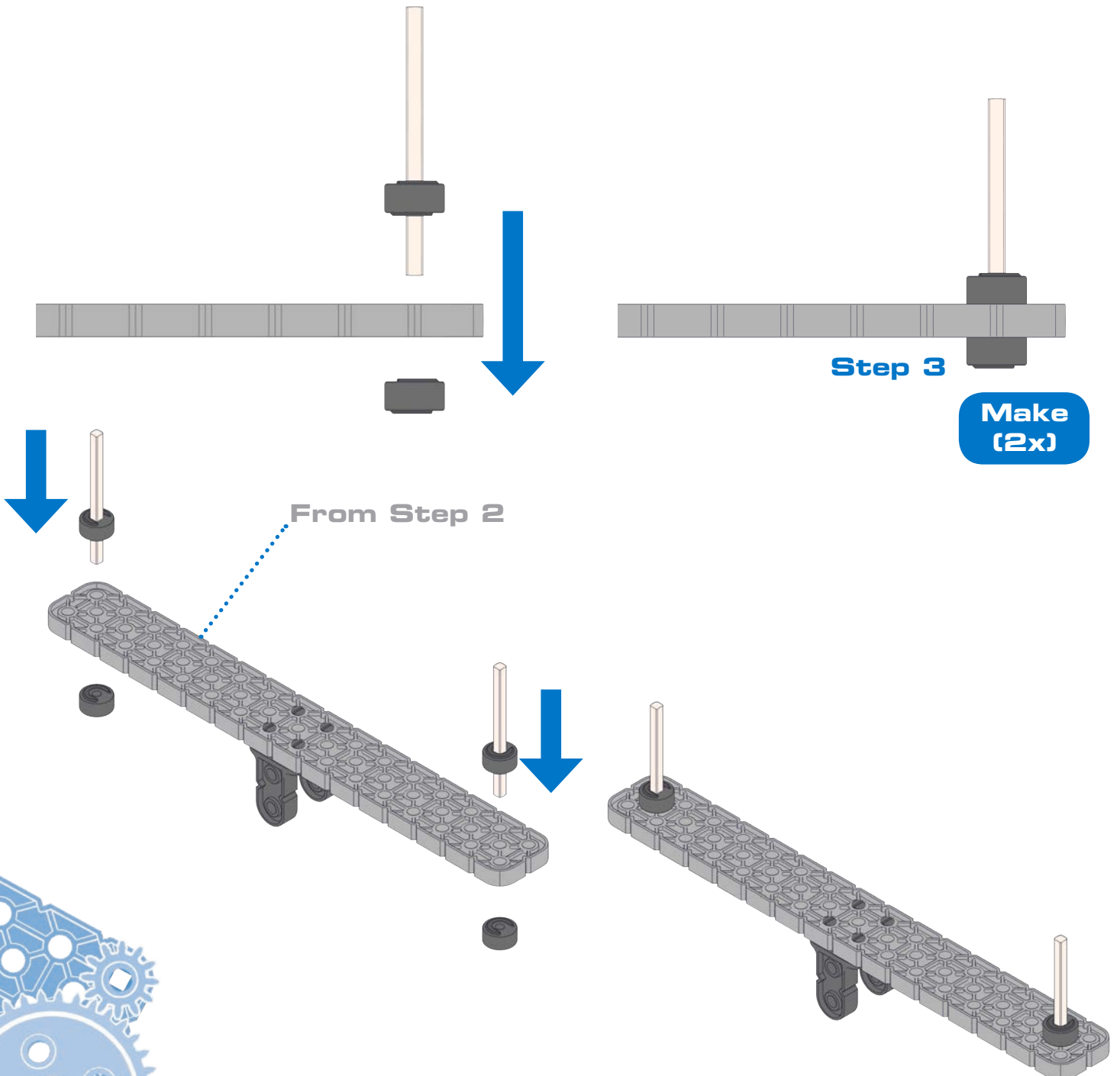
**Step 2**



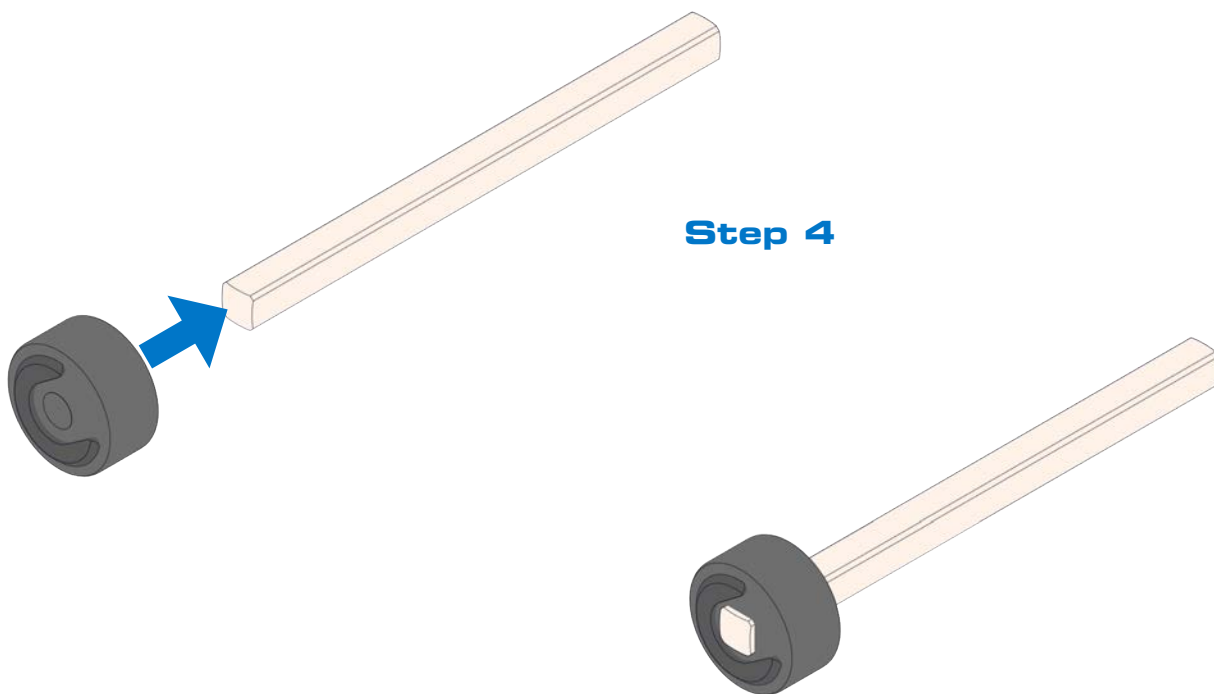
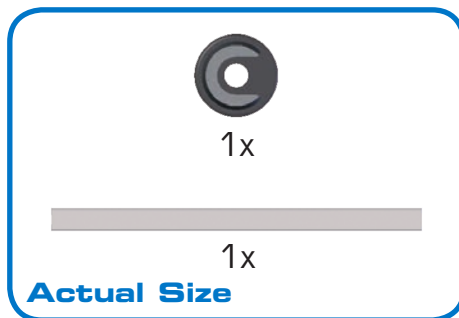


### Lever Assembly

4x  
2x  
Actual Size



### Lever Assembly



### Lever Assembly



**Make  
(2x)**

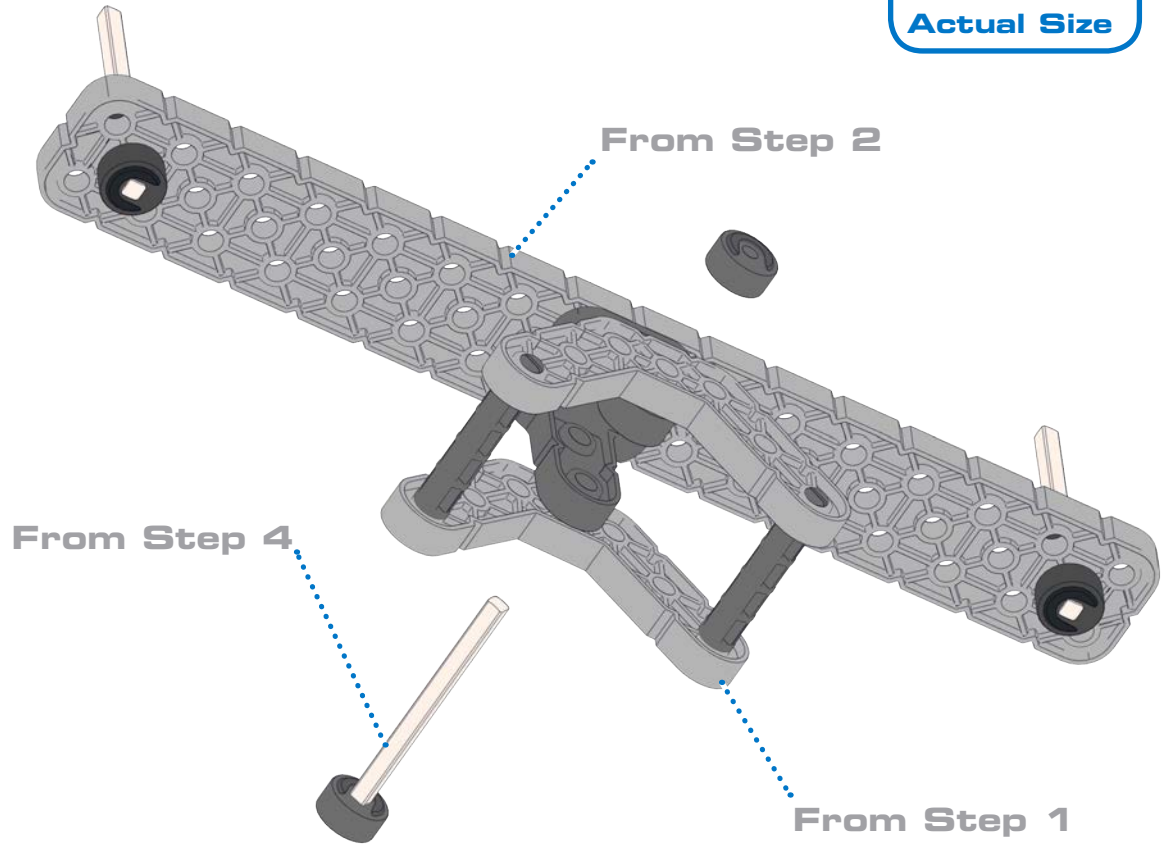
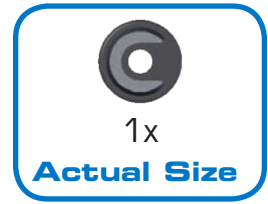


Note: Tires are used as examples for mass. Other items or VEX IQ parts may be substituted instead.

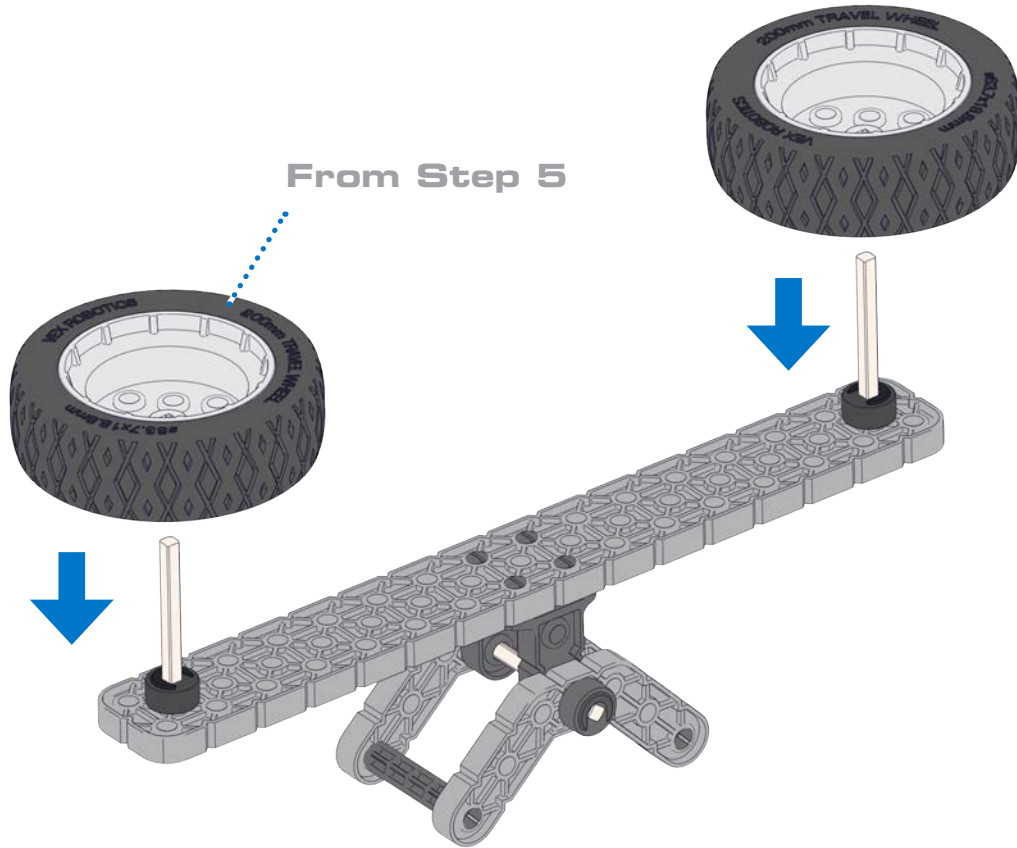
**Step 5**



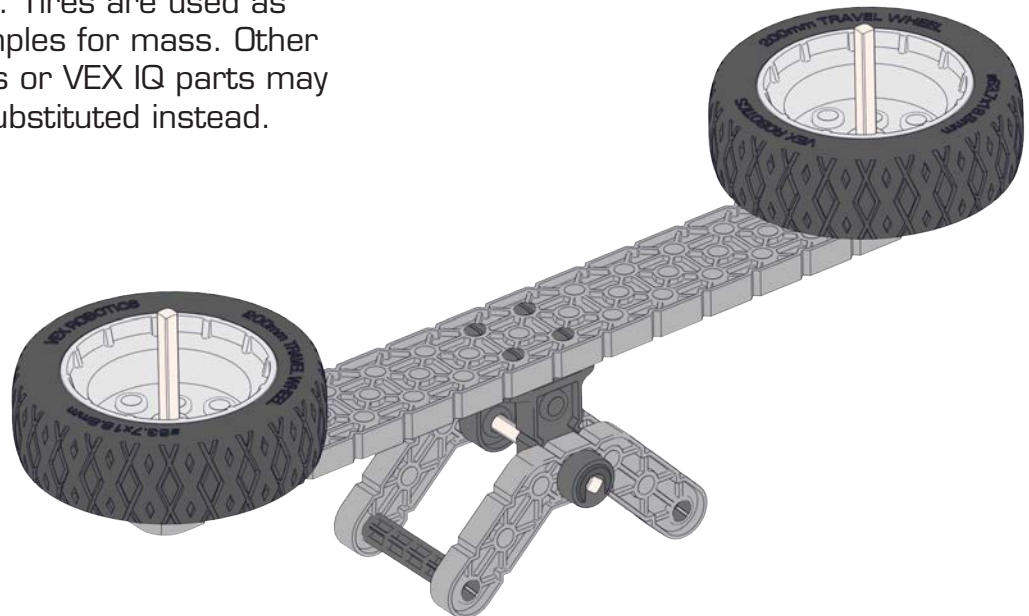
### Lever Assembly



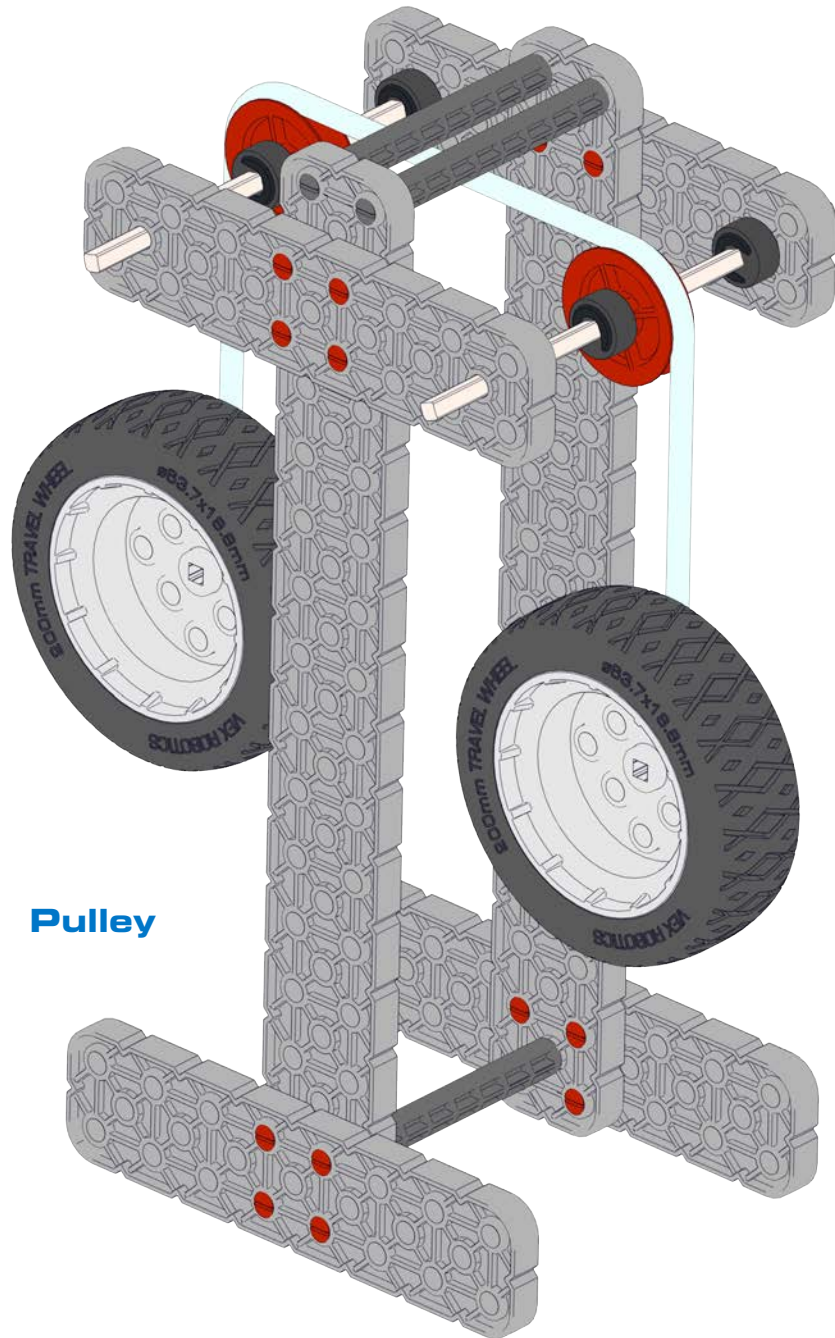
### Lever Assembly



Note: Tires are used as examples for mass. Other items or VEX IQ parts may be substituted instead.

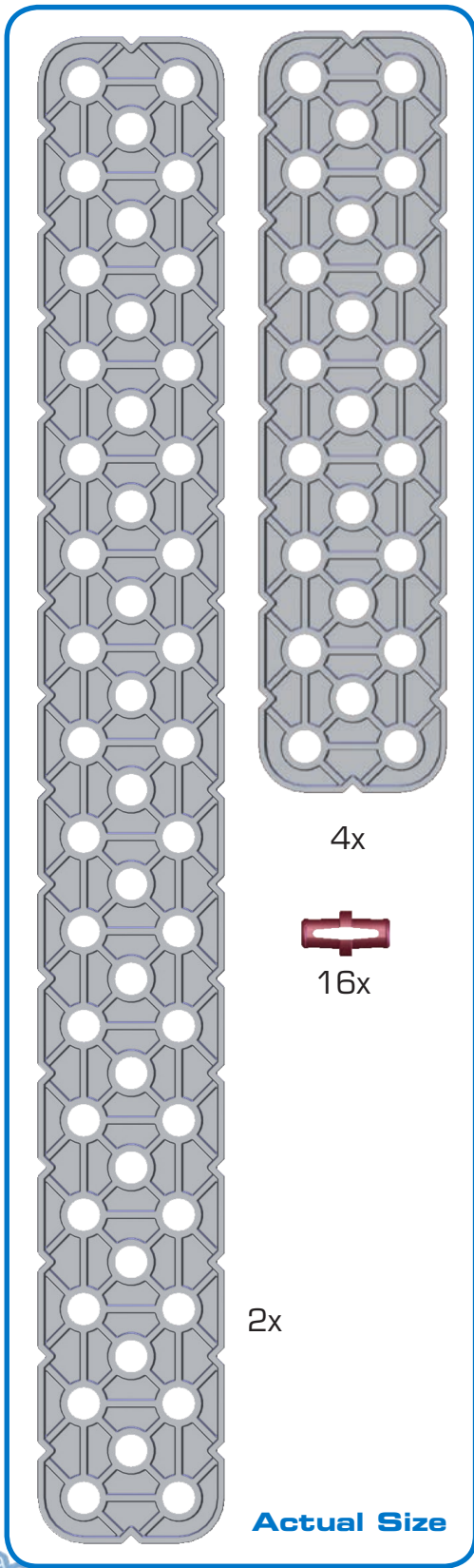


### Pulley Assembly

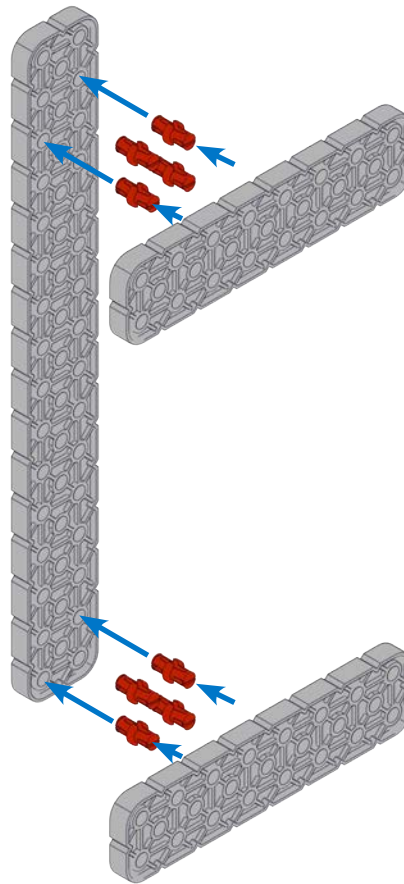


Pulley



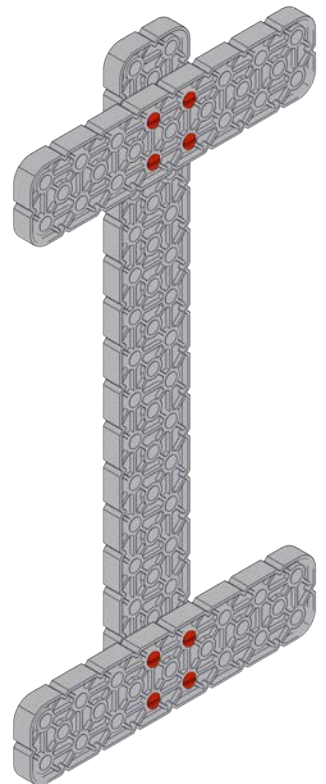


### Pulley Assembly

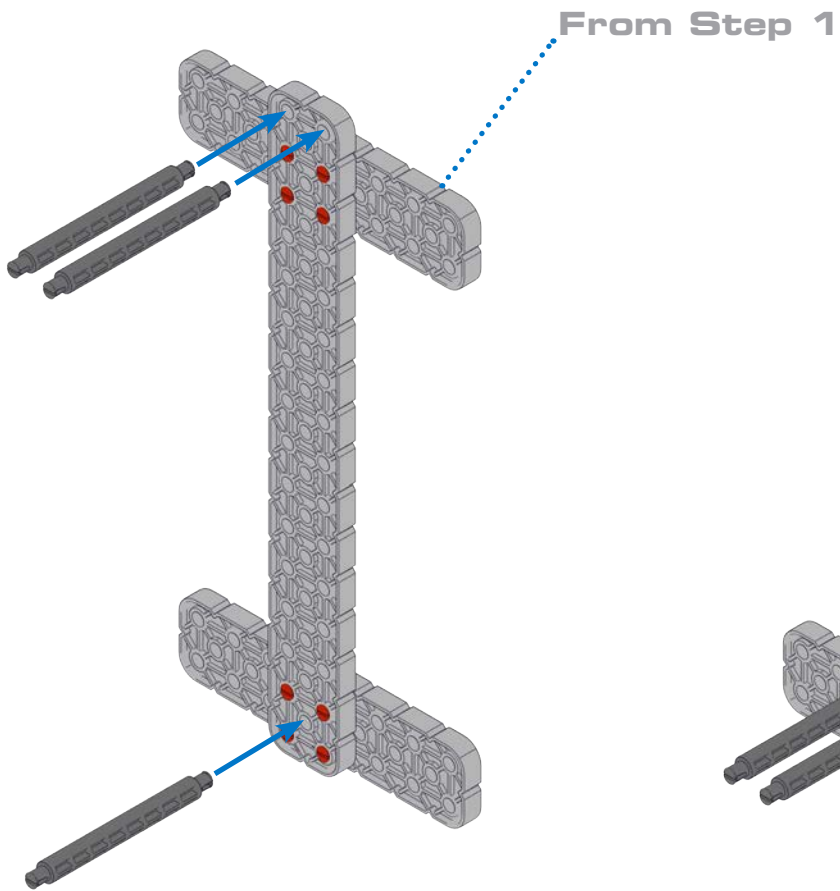
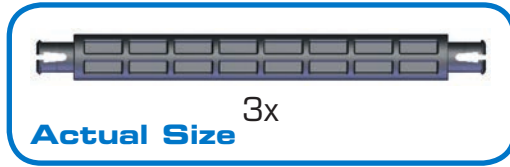


Step 1

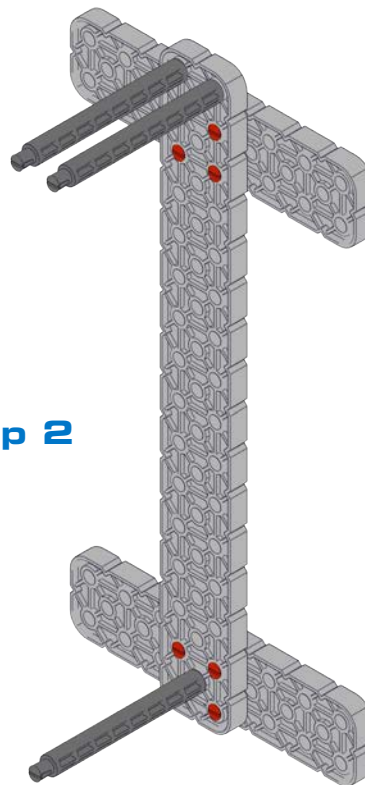
Make (2x)



### Pulley Assembly

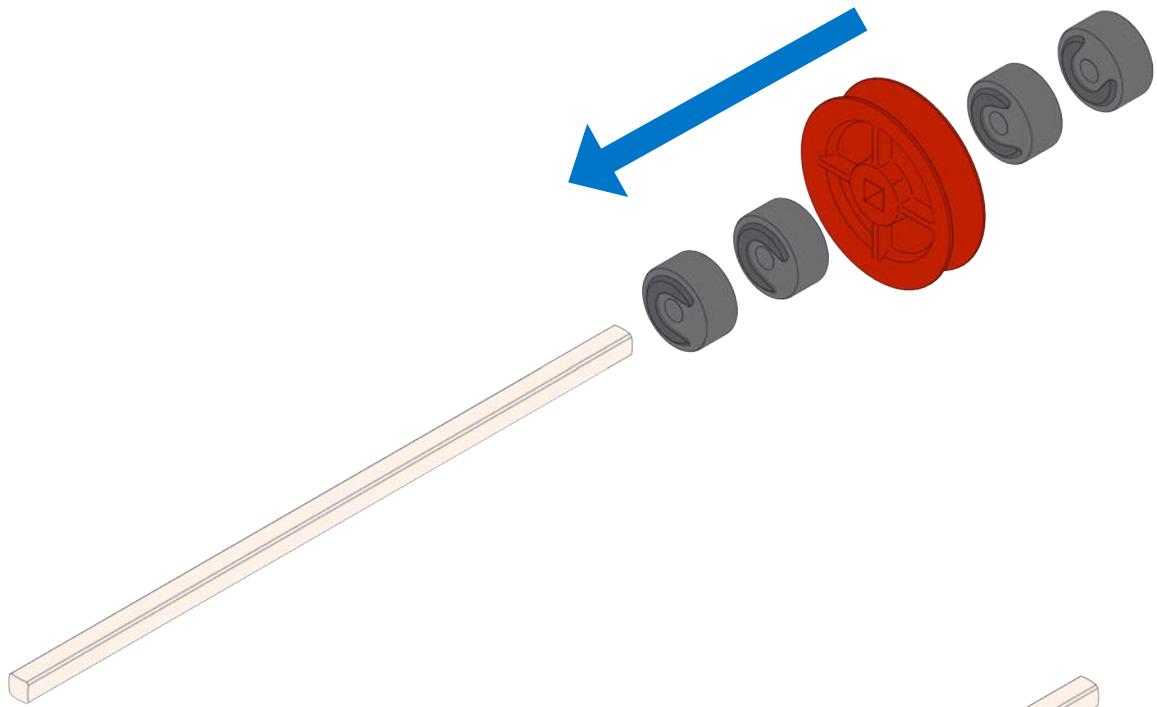
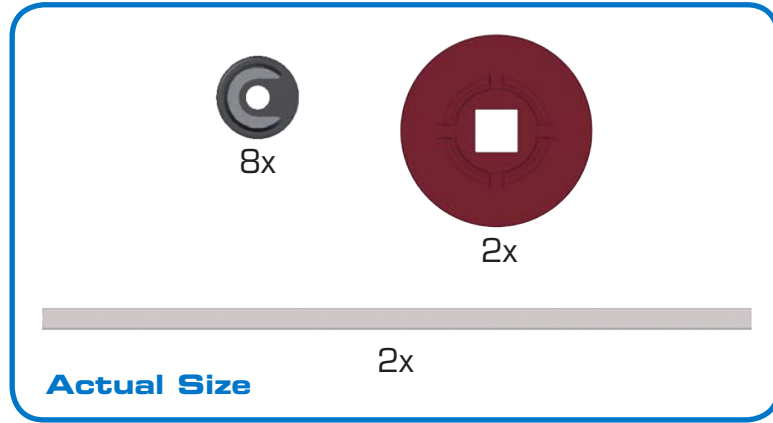


### Step 2

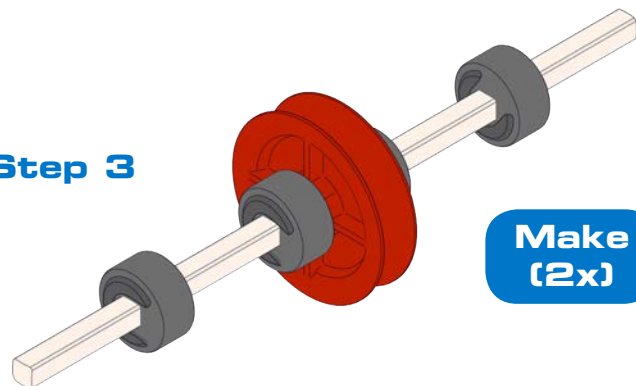




### Pulley Assembly



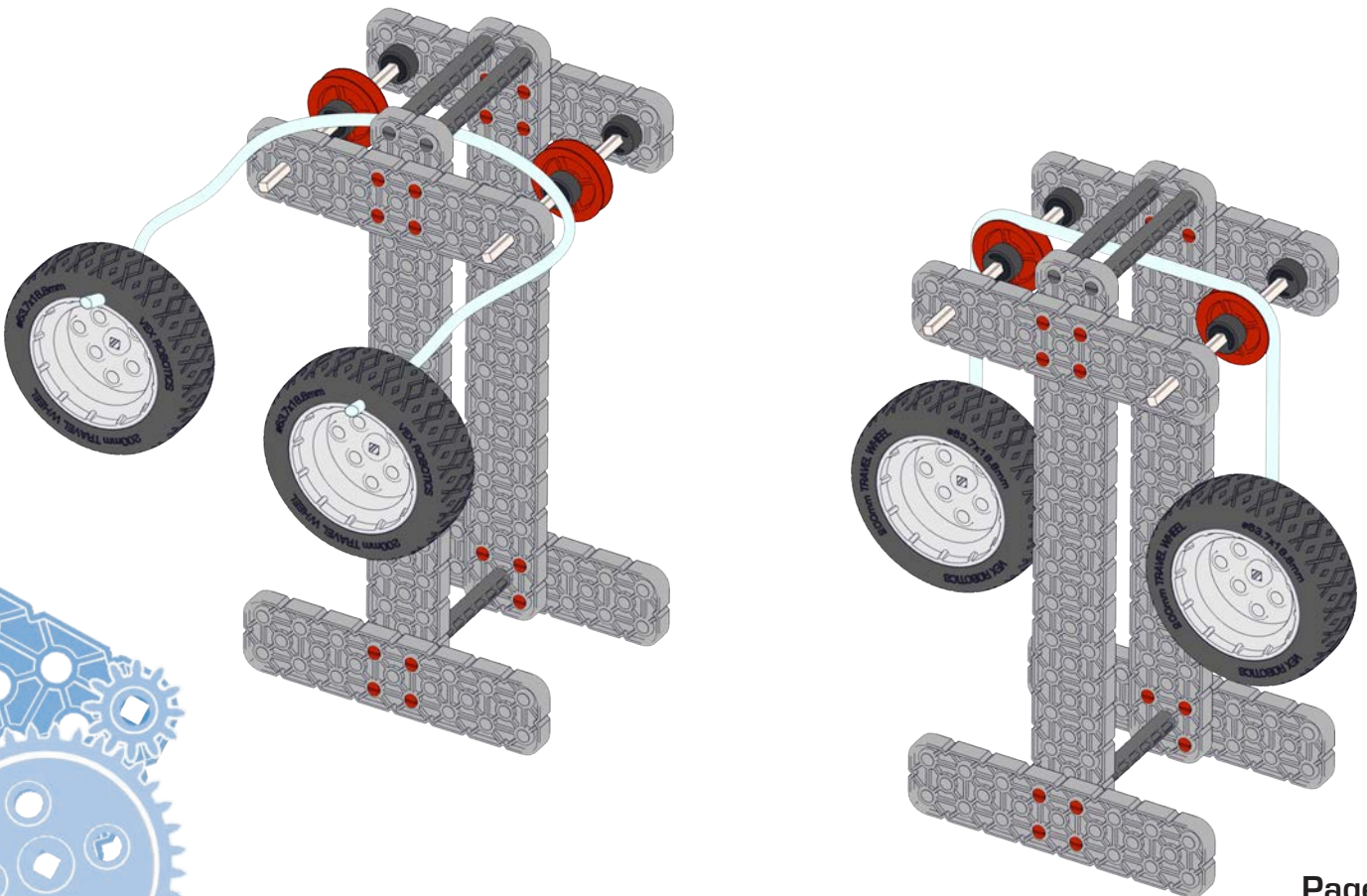
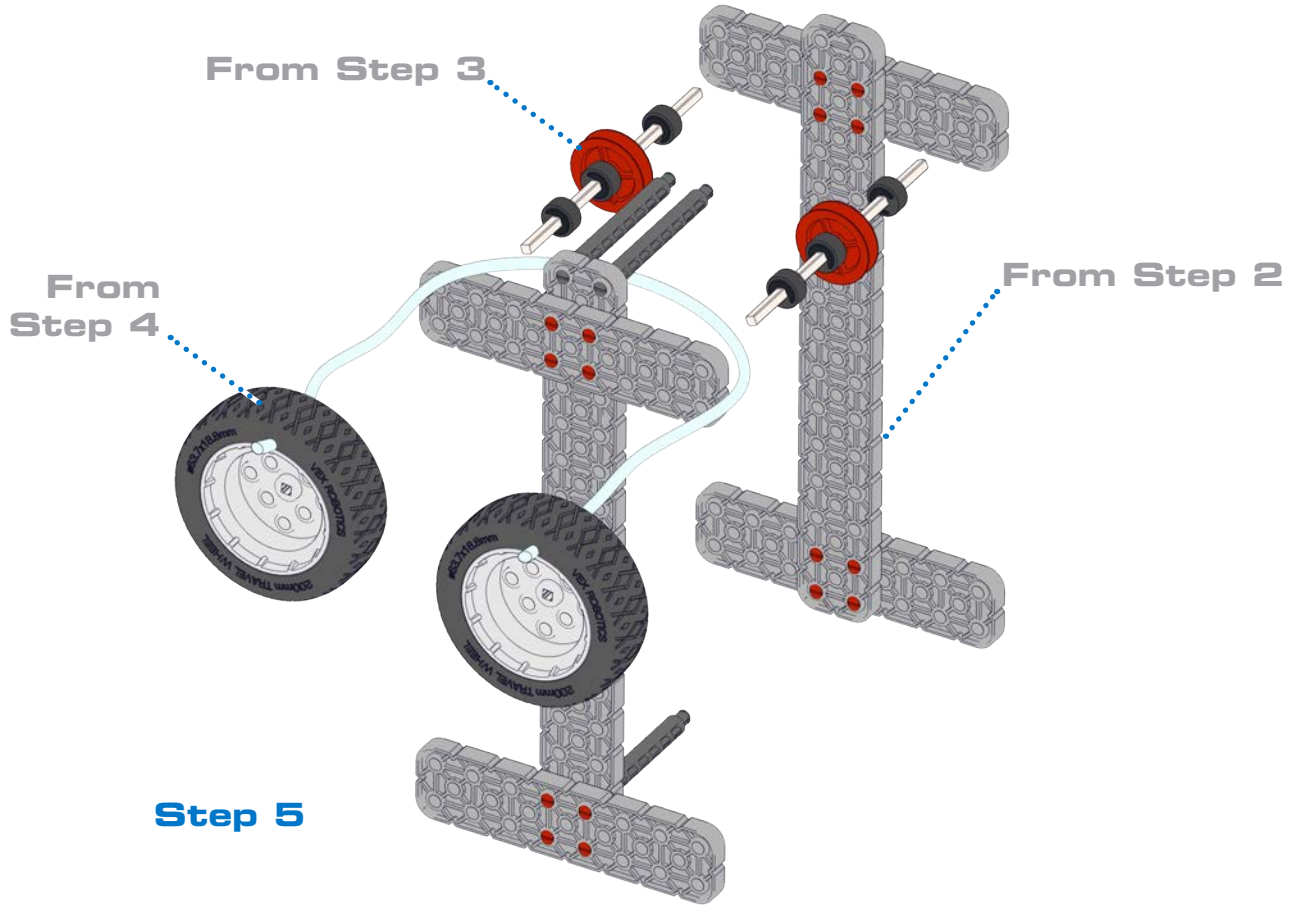
**Step 3**



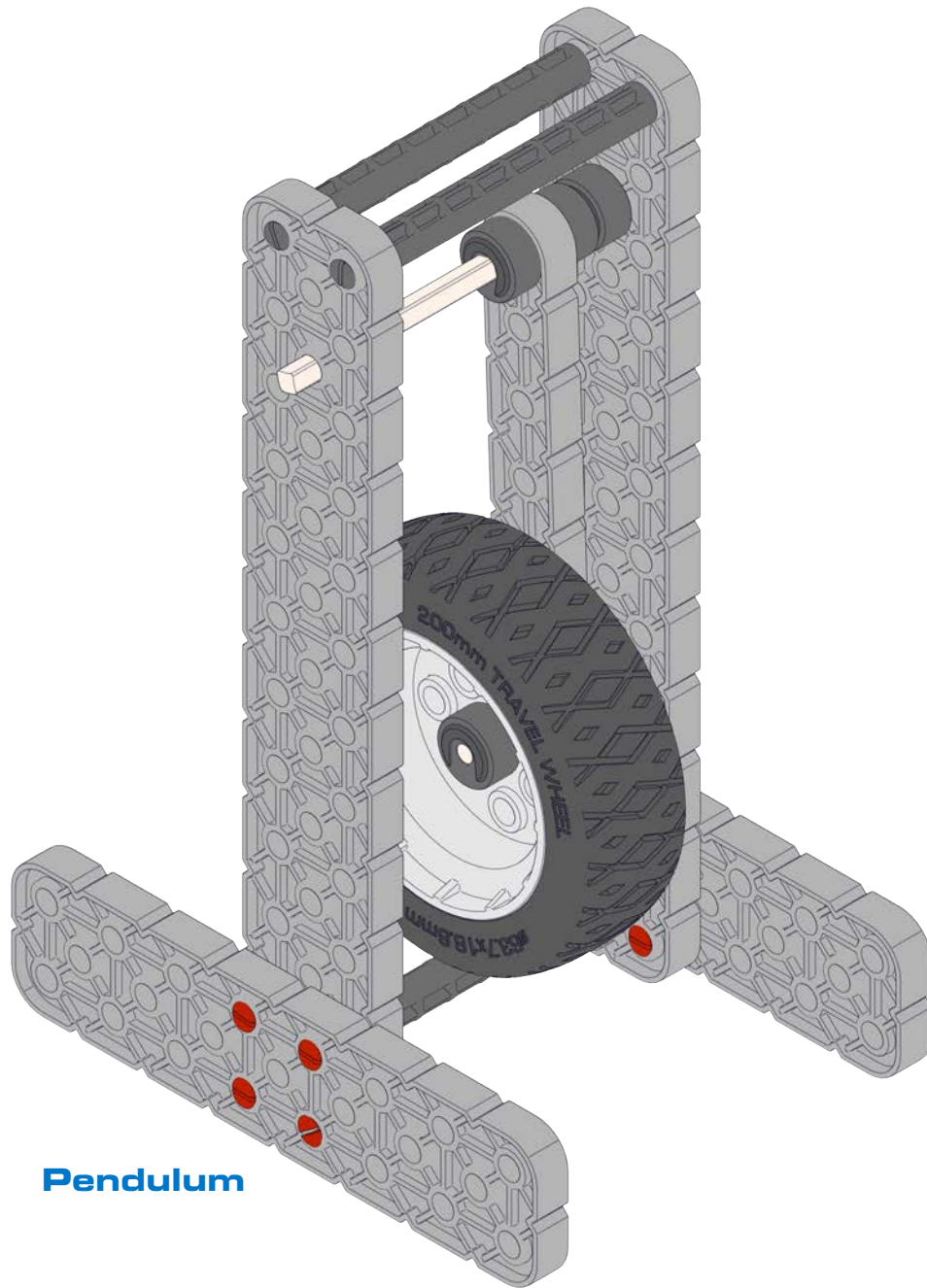
### Pulley Assembly



### Pulley Assembly



### Pendulum Assembly

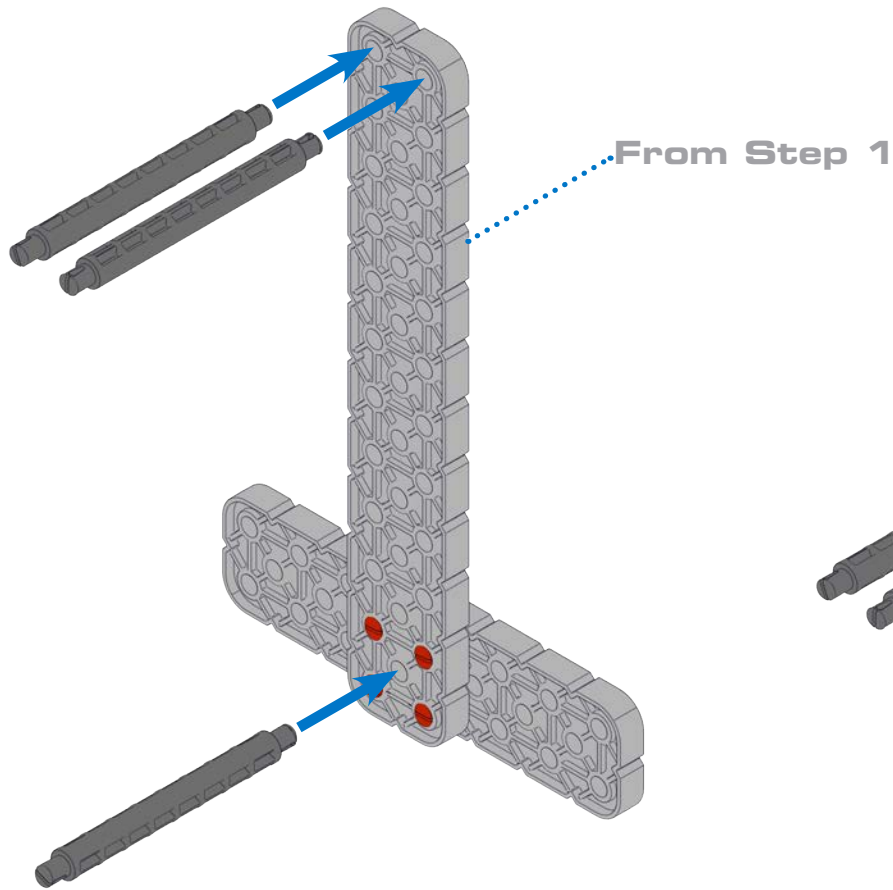
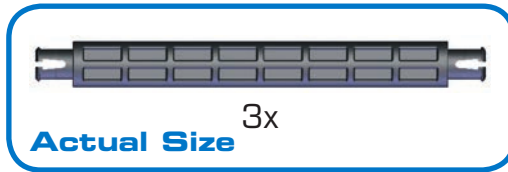


**Pendulum**

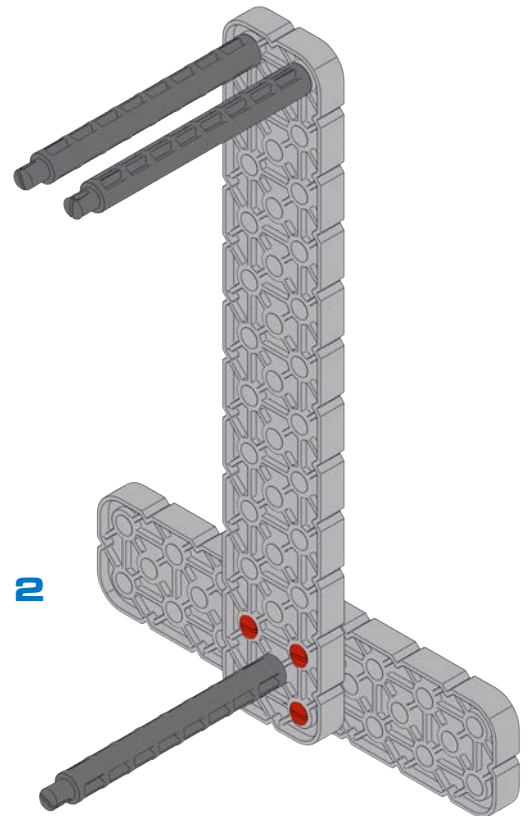




### Pendulum Assembly



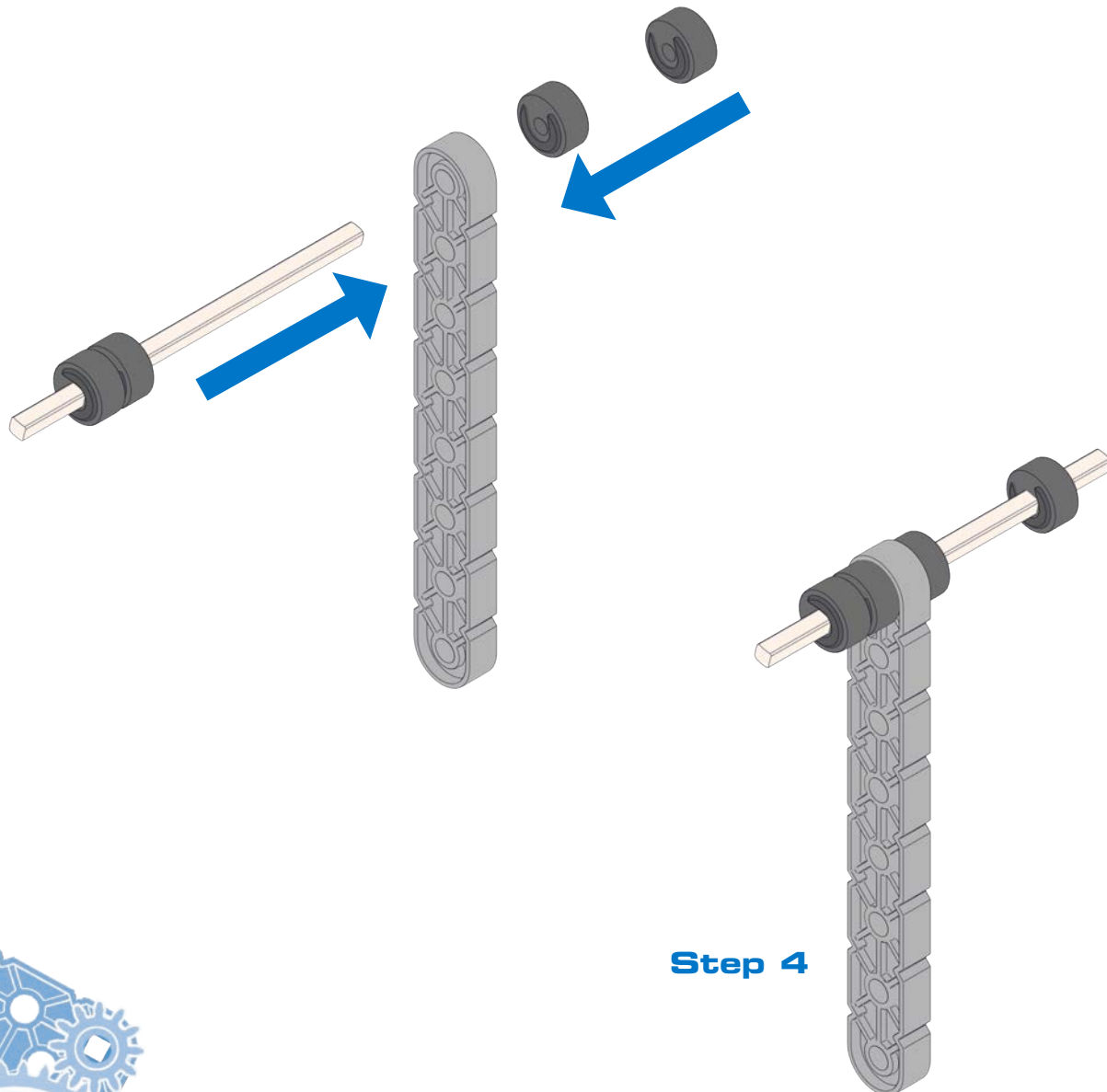
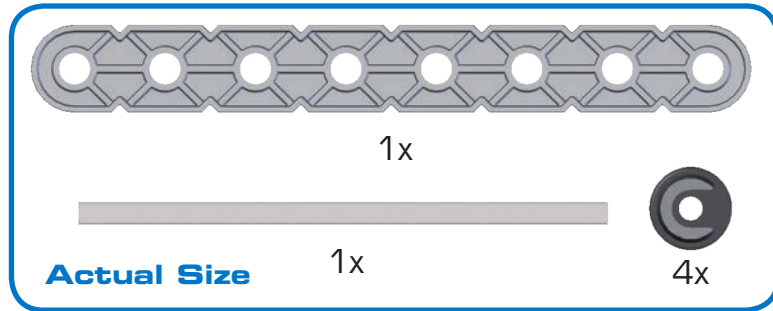
Step 2



### Pendulum Assembly

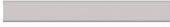



### Pendulum Assembly

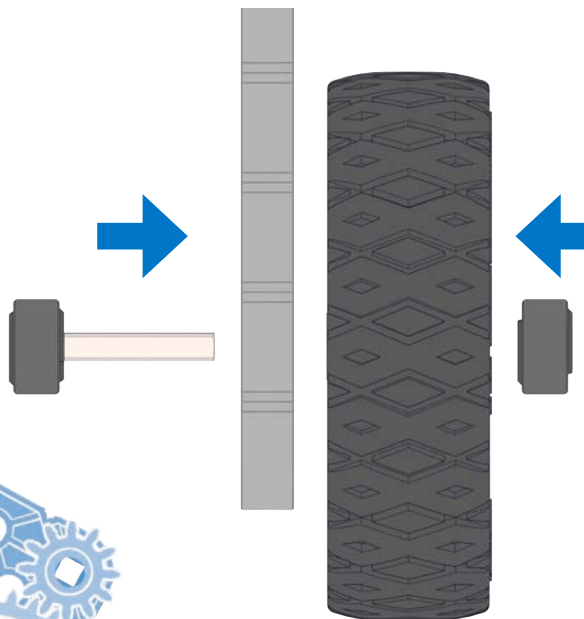
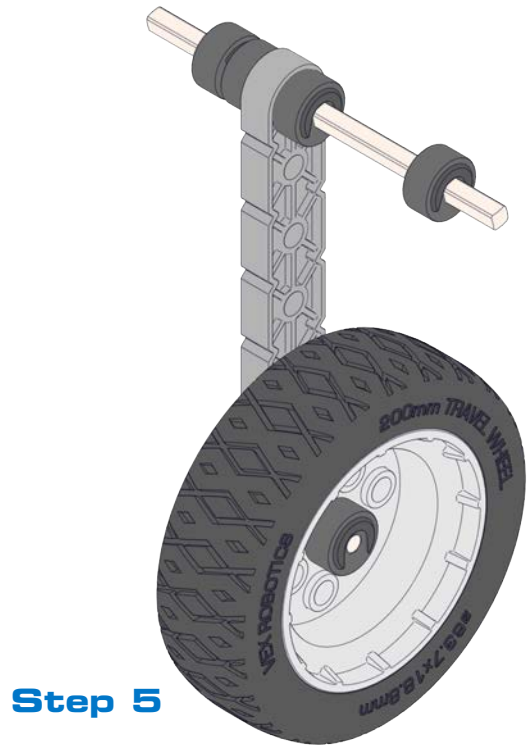
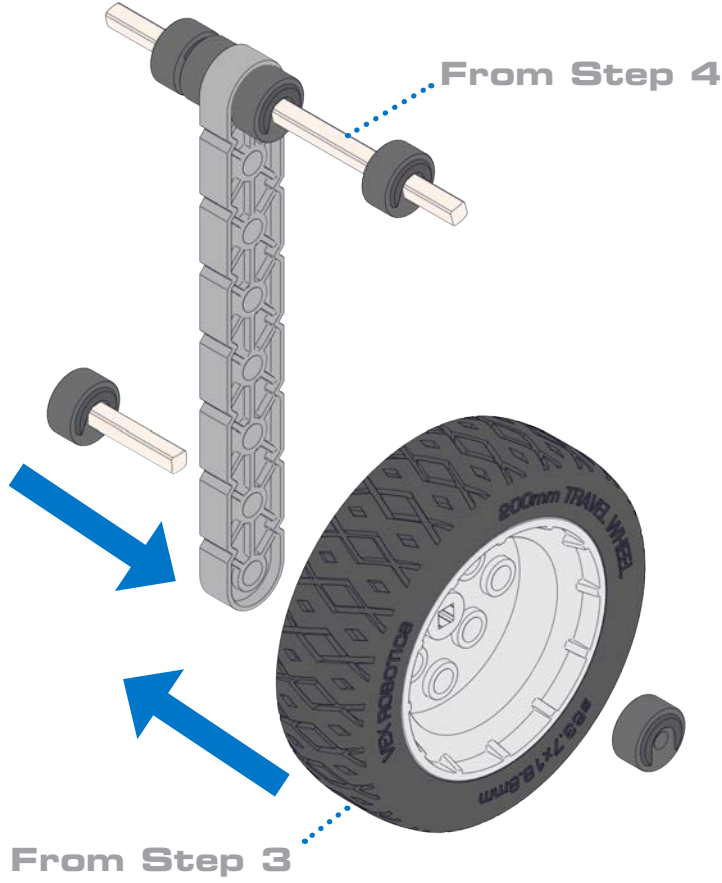




### Pendulum Assembly

1x  2x 

Actual Size



### Pendulum Assembly

